

DT-KK 2

**Pressure tank for small cartridges up to
5 MPa / 50 bar**

Technical Information

Revision 1.0

DT-KK 2

Pressure tank for small cartridges up to 5 MPa / 50 bar

1. Function mode

The pressure tank is used for the medium supply of metering valves, for example the micrometering valve with piezoelectric drive DV 100. The pressure tank is constructed in a way, that the medium to be delivered, is pushed in a small cartridge which is located in the tank. A flexible product pipe leads the medium toward the valve pneumatically. The pressure tank is suitable for small cartridges with a volume of 3 ml, 5 ml, 10 ml or 30 ml. The pressure tank body has to be unscrewed to bring in the small cartridge.

If a pressure of max. 0.6 MPa is sufficient for the metering, the pressure tank body with the screw cap is not required.

2. Technical data

external dimensions	Ø 75 mm, height 160 mm
internal dimensions	Ø 45 mm, height 135 mm
connection small cartridge	Luer-Lock connection
product pipe connection	M10x1
connection compressed-air piping	M10x1
maximum working pressure	5 MPa (50 bar)
excess pressure protection	bursting disk (bursting pressure 6.0 MPa (60bar))
material	high-tensile aluminium / bronze
weight (without high-pressure pipe)	1,5 kg

3. Safety Instructions

It is only allowed to replace the mounted excess pressure protection by a structurally identical part, if same exploded due to excess pressure. The reasons for the inadmissible excess pressure have to be eliminated prior to the reoperation! It is not allowed to use the tank with explosive media. Do not use dangerous gas for pressure feed. The screw cap has to be secured until its mechanical stop. Open the screw cap after taking away the pressure only.

The described electric devices and machines are equipment to be used in industrial installations.

Therefore the persons in charge for the safety of this installation have to guarantee that

- unqualified personnel is not allowed to work on the devices and machines or in close proximity to same
- only qualified personnel will be instructed to work on the devices and machines

DT-KK 2

Pressure tank for small cartridges up to 5 MPa / 50 bar

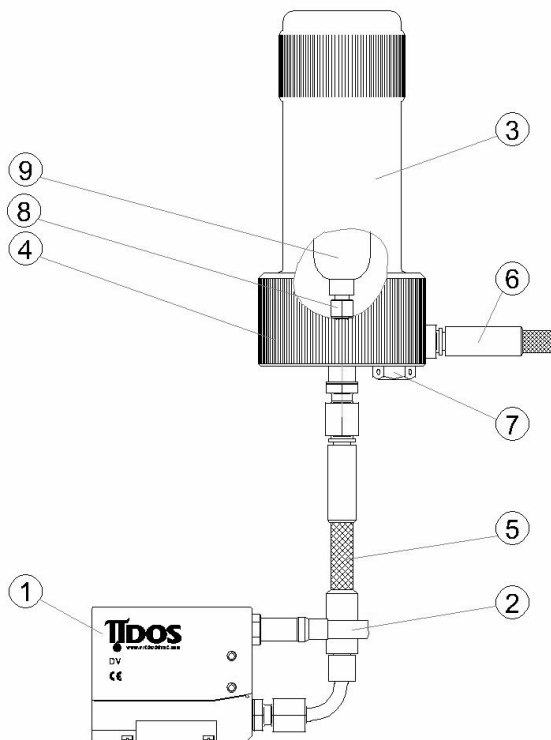
- among other things the operating manual and the other documents will always be at the disposal of these persons while effecting the corresponding work and that they will be obliged to observe these documents resolutely

Qualified personnel are persons, who – due to their training, experience and instruction as well as to their knowledge of relevant standards, regulations and rules for prevention of accidents and operating conditions – have been entitled by the person in charge for the safety of the installation to effect the required work and who are able to recognize and avoid possible dangers on this occasion. (definitions for specialists according to VDE 105 or ICE 364)

The warranty for the products of PICODOSTEC GmbH follows exclusively the current setting of our general business conditions.

These safety instructions do not lay claim to completeness

4. Explosion drawing



no.	description
1	DV 100
2	Electrical connection DV 100
3	Screwed pressure tank body
4	Cap
5	Flexible product pipe
6	Pressure supply pipe
7	Burst disk
8	Luer-Lock connection
9	Small cartridge

Note: Fastening screw thread M5/ 7 deep is located on the lower side of the cap.

DT-KK 2

Pressure tank for small cartridges up to 5 MPa / 50 bar

We scrutinized this product manual very carefully. However, we cannot guarantee that same is without faults. If you have further questions or need some advice please get in contact with:

PICO Dosiertechnik GmbH & Co. KG

Phone +49 (0)89 – 84 93 66 60

Fax +49 (0)89 – 84 93 66 66

info@picodostec.com

PICODOSTEC GmbH

Friedenstraße 19
D-82110 Germering-Unterpaffenhofen
München HRB 144 514
USt-IDNr. DE 224651879
Steuer-Nr. 117/135/20731

Geschäftsführung

Dipl.-Ing. (FH) Rainer Möst
Dipl.-Kfm. Michael Rennefeld

Bankverbindung

Kreissparkasse Ebersberg
BLZ 700 518 05
Konto 417 154

Kontakt

Phone +49 (0)89 84 93 66 60
Fax +49 (0)89 84 93 66 66
info@picodostec.com
www.picodostec.com