

# **Pressure Tank DT-1**

**For bottles up to 1 liter or cartridges 1 oz (30ml) up to 8 oz (230ml) and 20 oz (610ml) with G1/4" inside thread at product outlet; pressure up to 1 MPa / 10 bar**

## **Technical Information**

Revision 1.0

# DT-1

## Pressure tank for bottles or cartridges up to 1 MPa / 10 bar

### 1. Function mode

The pressure tank DT-1 is used for the medium supply of metering valves, for example the micrometering valve with piezoelectric drive DV 100. The pressure tank is constructed in a way, that the medium to be delivered, is pushed in a cartridge which is located in the tank. Due to its construction the pressure tank DT 1 offers the advantage to use both – cartridges with a connection thread G1/4" (1, 6, 8, 20 oz) as well as commercial bottle containers. The pressure tank can be used up to a pressure of 1.0 MPa (10 bar). A pressure control valve being integrated into the screw cap opens in case this value is exceeded. Before using a cartridge we advise to check the dimensions. If a higher pressure should be necessary to obtain an optimal metering, we recommend to use our DT 5 or DT cartridge.

### 2. Technical data

external dimensions	Ø 140 mm (without connections), height appr. 365 mm
internal dimensions	Ø 104 mm, height 260 mm
product pipe connection	1/4" inside thread
connection compress-air piping	1/4" inside thread
maximum container size	Ø 100 mm, height appr. 250 mm
maximum working pressure	1,0 MPa (10 bar)
excess pressure protection	Safety relief valve
material	Steel, black zinc-plated; aluminium
weight	11,5 kg

Note: It is only allowed to replace the mounted excess pressure protection by a structurally identical part, if same exploded due to excess pressure. The reasons for the inadmissible excess pressure have to be eliminated prior to the reoperation!

### 3. Safety Instructions

It is not allowed to use the tank with explosive media. Do not use dangerous gas for pressure feed. The screw cap has to be secured until its mechanical stop. Open the screw cap after taking away the pressure only.

The described electric devices and machines are equipment to be used in industrial installations.

Therefore the persons in charge for the safety of this installation have to guarantee that

- unqualified personnel is not allowed to work on the devices and machines or in close proximity to same
- only qualified personnel will be instructed to work on the devices and machines

# DT-1

## Pressure tank for bottles or cartridges up to 1 MPa / 10 bar

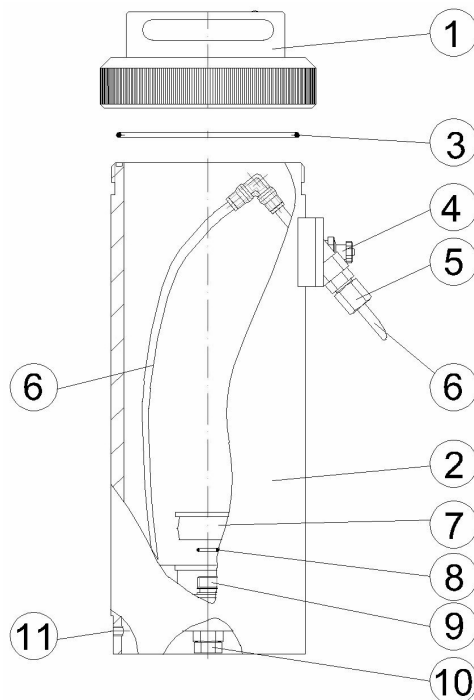
- among other things the operating manual and the other documents will always be at the disposal of these persons while effecting the corresponding work and that they will be obliged to observe these documents resolutely

Qualified personnel are persons, who – due to their training, experience and instruction as well as to their knowledge of relevant standards, regulations and rules for prevention of accidents and operating conditions – have been entitled by the person in charge for the safety of the installation to effect the required work and who are able to recognize and avoid possible dangers on this occasion. (definitions for specialists according to VDE 105 or ICE 364)

The warranty for the products of PICODOSTEC GmbH follows exclusively the current setting of our general business conditions.

These safety instructions do not lay claim to completeness

### 4. Explosion drawing



no.	description
1	screw cap
2	pressure tank body
3	sealing (O-ring)
4	connection compressed air piping (6/4); G1/4"
5	- connection for product conduit using bottles - blind plug for cartridges
6	product conduit
7	plug
8	o-Ring
9	G1/4" thread for cartridges
10	- blind plug for using bottles - connection for product conduit using cartridges
11	fixing chance with M6

# **DT-1**

## **Pressure tank for bottles or cartridges up to 1 MPa / 10 bar**

We scrutinized this product manual very carefully. However, we cannot guarantee that same is without faults. If you have further questions or need some advice please get in contact with:

PICO Dosiertechnik GmbH & Co. KG  
Phone +49 (0)89 – 84 93 66 60  
Fax +49 (0)89 – 84 93 66 66  
info@picodostec.com